



## Features

## On Board Display, double side

### General features:

- 18,5" double sided TFT display 16:9
- Wide viewing angles
- Can be used to present text, animation, pictures and video
- Robust design
- Low life cycle costs due to reliable TFT LCD technology
- Easy installation and maintenance
- Fanless design

### Technical specifications:

- Active area: 409 x 230 mm
- Resolution: 1366 x 768 dots
- Viewing angle (typ.): 170°
- TFT LCD brightness (max.): 250 cd/m<sup>2</sup>
- TFT LCD contrast (typ.): 1000:1
- Backlight: LED
- Data transmission: Ethernet on M12 D code connector (one per double side)
- USB 2.0, audio out, OS. LINUX 3.0 con OpenGL ES2.0, 3D/2FD engine, Chrome
- Processor: Intel® Celeron® N3350, 2C 1.1 @2.4GHz, 4GB RAM, 16GB Flash disk CFast.
- Option: Internal Switch 5 Ports for daisychain connection

### Power supply:

- Voltage: 24 Vdc (range 9 ~ 36 Vdc)
- Max power consumption: 40W

### Physical characteristics:

- Dimensions: 460x 334 x 235 mm (L x W x H)
- Weight: 12 kg
- Housing: Aluminium case, RAL colour 9010
- Front glass: Hardened double-sided antireflective 4 mm

### Environmental characteristics:

- Temperature range: Full operation -15°C ... +55°C,  
Limited operation -40°C ... -15°C and +55°C ... +70°C, Storage -40°C ... +70°C
- Protection index: IP65 (front sides)

### Order Code

- EGL-1850-00 Double side display 18.5", 1 CPU
- EGL-1850-02 Double side display 18.5", 1 CPU, switch 5 ports inside

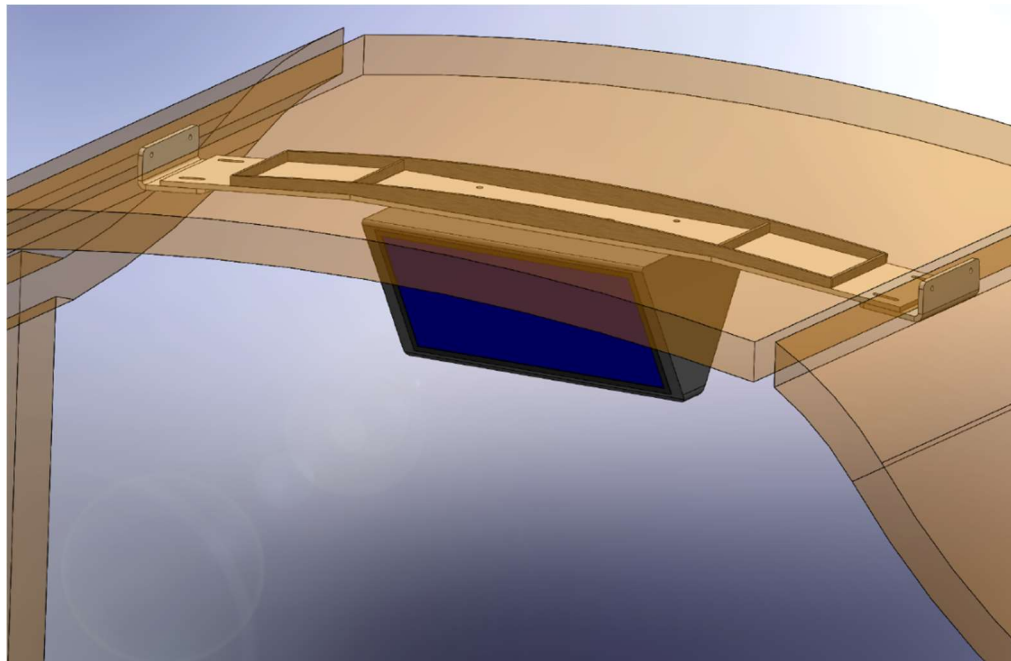
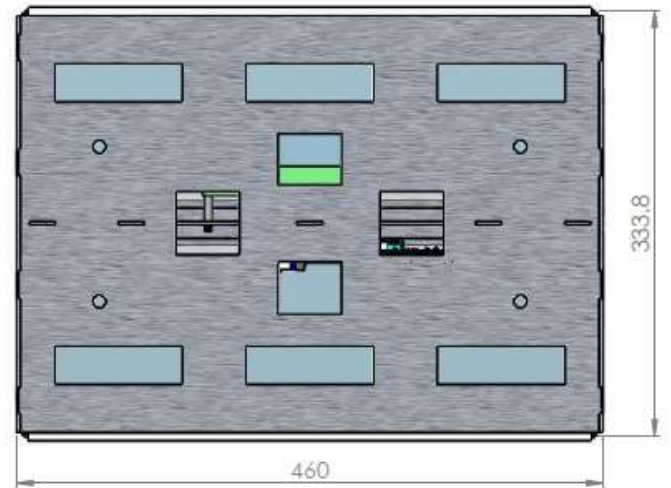
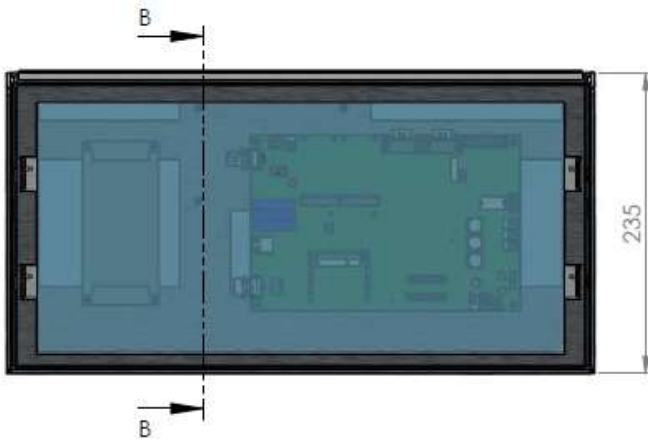
Cables have to be inserted internally from the top side. Inside the monitor there are 2 connectors : 1x RJ45 ethernet mounted on the main board and 1 Power connector as described below.

For more information contact [info@ermetris.com](mailto:info@ermetris.com) or visit our website.





## Mechanical dimensions



Rev.3 09/04/20